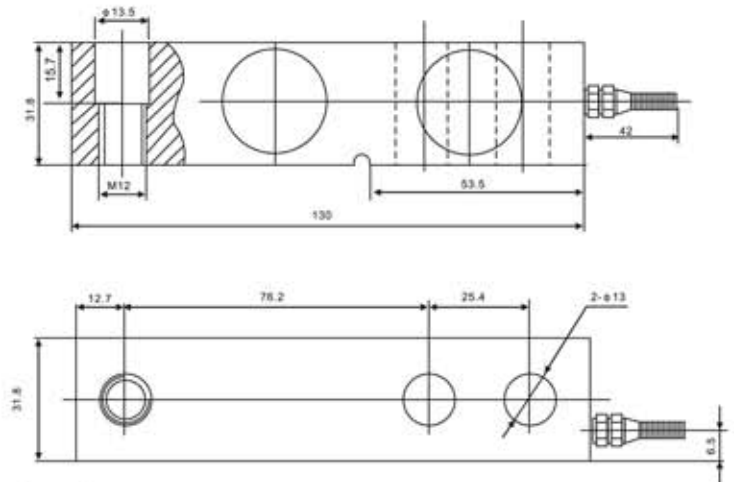


SQB/SQB-A/-SS/-ASS Loadcell

SQB/SQB-A/-SS/-ASS

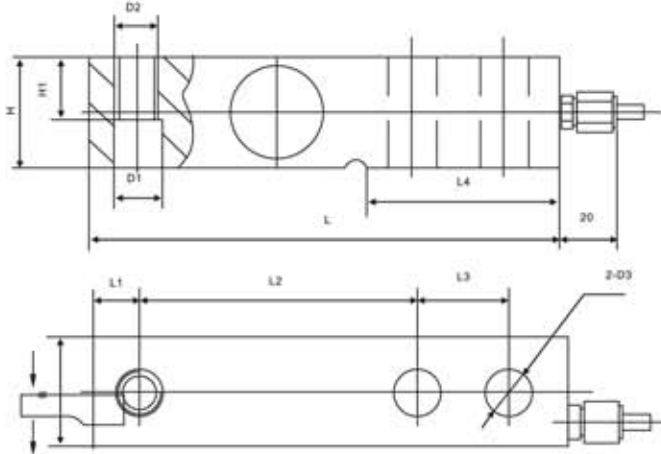


SQB/SQB-A 0.25-2.5t

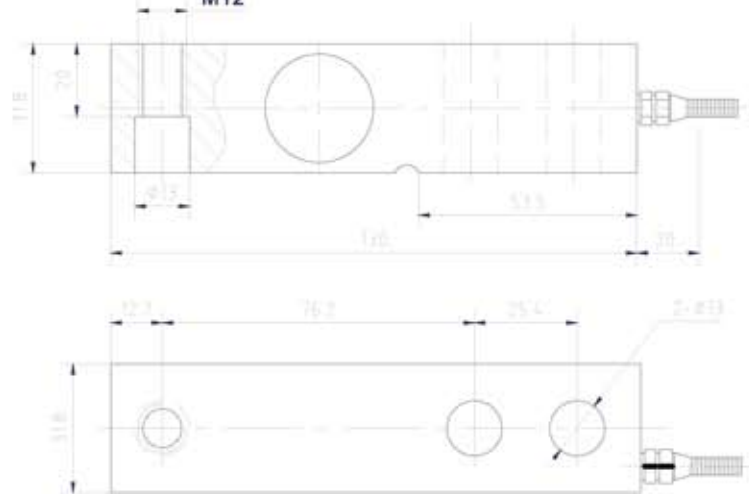


| Rated Load (t) | L | L1 | L2 | L3 | L4 | H/B | H1 | D1 | D2 | D3 |
|----------------|-------|------|------|------|------|------|------|-----|---------|-----|
| 3.5 | 171.5 | 19 | 95.3 | 38.1 | 72.5 | 38.1 | 26 | φ20 | M18x1.5 | φ20 |
| 7.5-10 | 225.5 | 25.3 | 124 | 50.8 | 102 | 50.8 | 25.4 | φ27 | M24x2 | φ27 |

SQB/SQB-A/SQB-SS/SQB-ASS 3-10t



t
SQB-SS/SQB-ASS 0.25-2.5



TECHNICAL PARAMETER | 4Wires: Exc+(Red); Exc-(Black); Sig+(Green); Sig-(White)

| | | | |
|------------------------|--|--------------------------------|--|
| Rated capacities(Emax) | 0.25, 0.3, 0.5, 0.75, 1, 1.5, 2, 2.5, 3, 5, 7.5, 10t | Temperature range, compensated | -10°C~+40°C |
| Sensitivity | 3.0±0.003mV/V(0.5-10t); 2.0±0.002mV/V (0.25-0.3t) | Temperature range, operating | -30~+70°C |
| Accuracy class | C2~C5 | Maximum safe overload | 150%F.S |
| Zero balance | ±1%F.S | Ultimate overload | 180%F.S |
| TC ZERO | ±0.02%F.S/10°C | Excitation, recommended | 10-12V DC |
| TC SPAN | ±0.02%F.S/10°C | Excitation, maximum | 15V DC |
| Input resistance | 400±20Ω | Protection class | IP67(0.25-0.75t); IP68(1-10t) |
| Output resistance | 352±3Ω | Construction | Alloy Steel Stainless Steel |
| Insulation resistance | ≥5000MΩ | Cable | Length: 3m(0.25-2.5t), 4.2m(3-5t), 5m(7.5-10t) |
| | | | Diameter: φ 5mm(0.25-5t; 0.25-0.3t); φ 6mm(7.5-10t, 0.5-10t) |