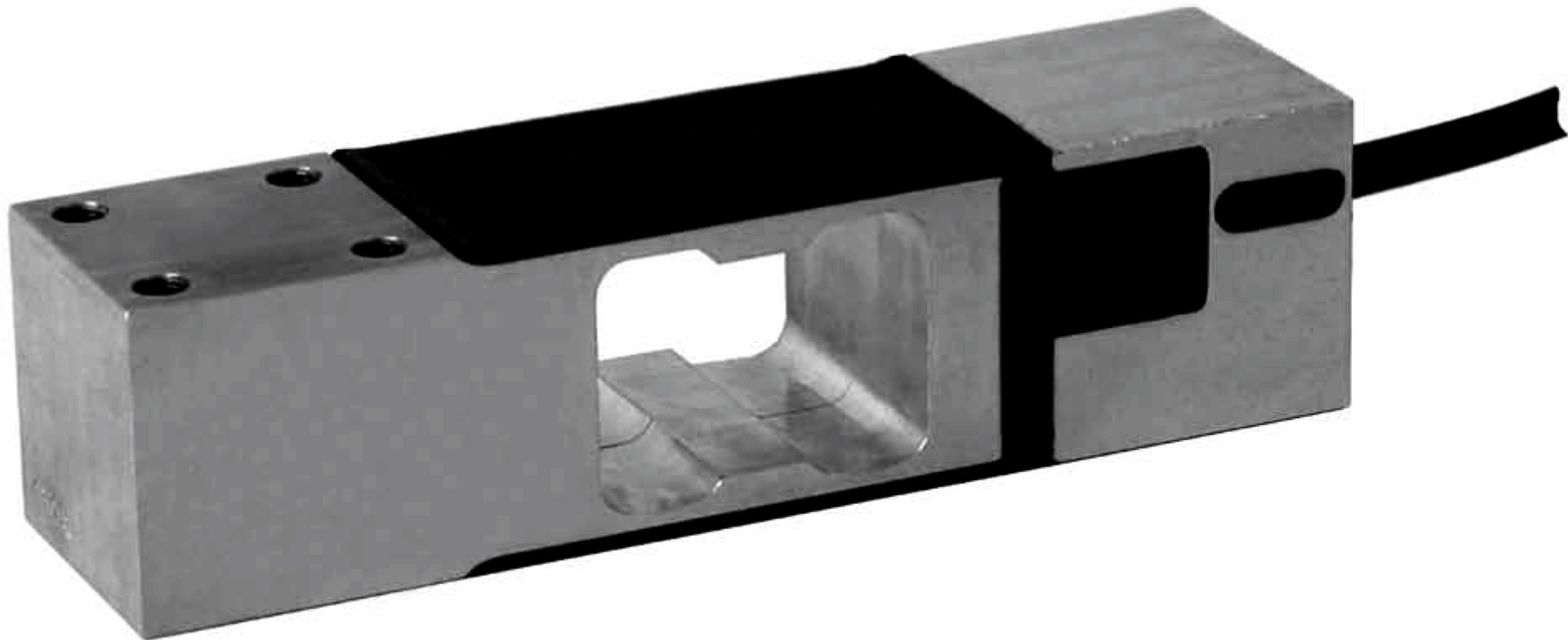


Type PC46 Load Cell



Product Description

The type PC46 is an aluminium single point load cell with an improved potting.

Application

- Bench and floor scales, conveyor scales and medical scales

Key Features

- Capacities from 50 kg to 250 kg
- Aluminium construction
- Environmental Protection IP67
- Maximum platform size up to 400 x 400 mm

Approvals

- OIML approval to C3 (Y = 7 500) and C4 (Y = 12 500, 250 kg only)
- ATEX hazardous area approval for Zone 0, 1, 2, 20, 21 and 22
- FM hazardous area approval

Options

- Y = 15 000 for C3
- Y = 25 000 for C4 (250 kg only)

Packed Weight

- 0.8 kg

Available Accessories

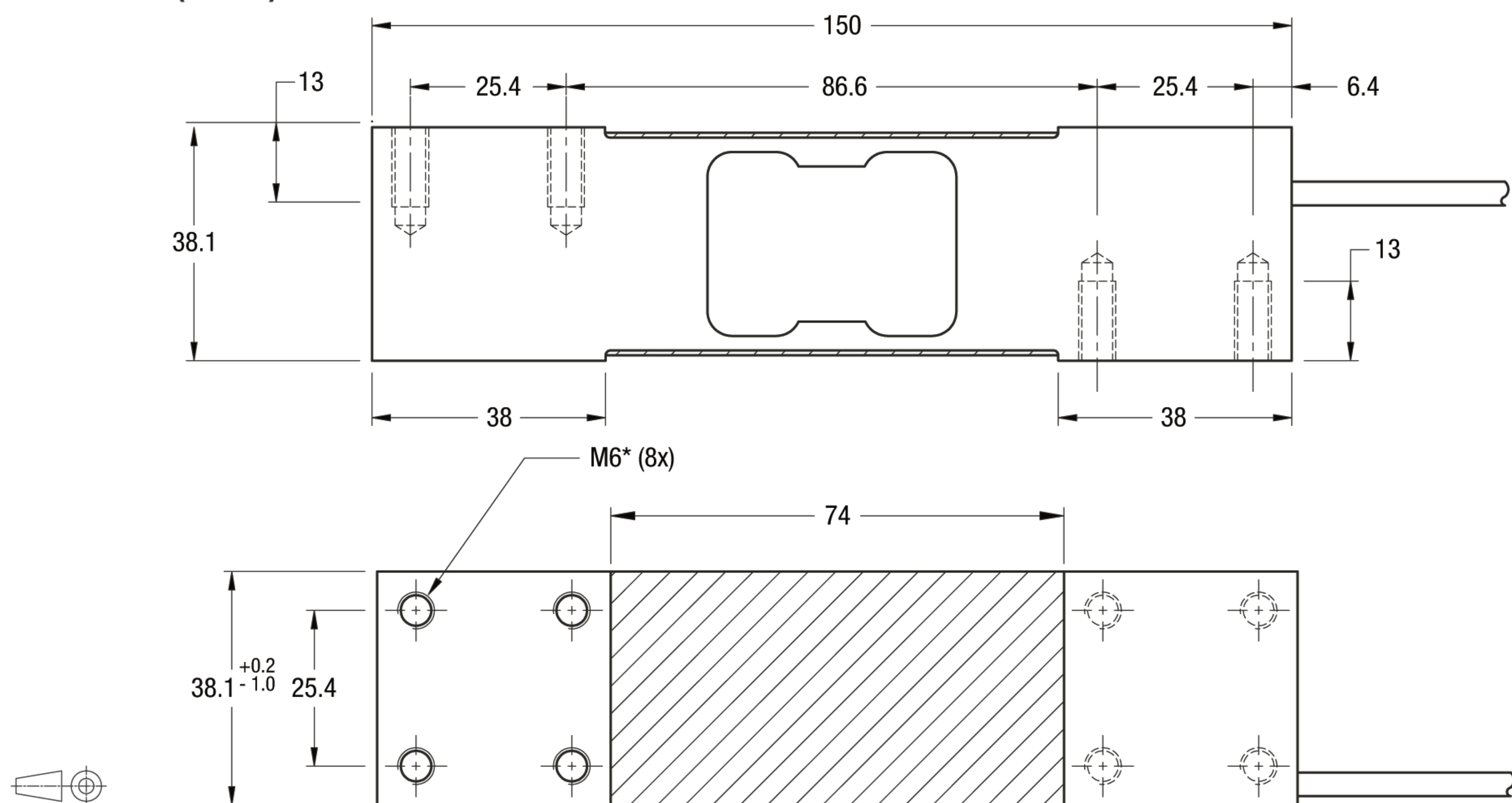
- Compatible range of electronics

Specifications

Maximum capacity	(E _{max})	kg	50 / 100 / 150 / 200 / 250	250
Accuracy class according to OIML R60			(GP)	C3
Maximum number of verification intervals	(n _{LC})		n.a.	3000
Minimum load cell verification interval	(V _{min})		n.a.	E _{max} / 7 500
Temperature effect on minimum dead load output	(TC ₀)	%*RO/10°C	± 0.0400	± 0.0187
Temperature effect on sensitivity	(TC _{RO})	%*RO/10°C	± 0.0200	± 0.0100
Combined error		%*RO	± 0.0500	± 0.0200
Non-linearity		%*RO	± 0.0400	± 0.0166
Hysteresis		%*RO	± 0.0400	± 0.0166
Creep error (30 minutes) / DR		%*RO	± 0.0600	± 0.0166
Option	Min. load cell verification interval	(V _{min opt})	n.a.	E _{max} / 15 000
	Temp. effect on min. dead load output	(TC _{0 opt})	%*RO/10°C	± 0.0093
Rated Output	(RO)	mV/V		2 ± 10%
Zero balance		%*RO		± 5
Excitation voltage		V		5...15
Input resistance	(R _{LC})	Ω		413 ± 20
Output resistance	(R _{out})	Ω		350 ± 25
Insulation resistance (100 V DC)		MΩ		≥ 5000
Safe load limit	(E _{lim})	%*E _{max}		150
Ultimate load		%*E _{max}		300
Safe side load		%*E _{max}		100
Maximum platform size; loading acc. to OIML R76		mm		400 x 400
Maximum off centre distance at maximum capacity		mm		150
Compensated temperature range		°C		-10...+40
Operating temperature range		°C		-20...+65 (ATEX -20...+60)
Load cell material				aluminium
Sealing				potted
Protection according EN 60 529				IP67

The limits for Non-Linearity, Hysteresis, and TC_{RO} are typical values.
The sum of Non-linearity, Hysteresis and TC_{RO} meets the requirements according to OIML R60 with p_{LC}=0.7.

Dimensions (in mm)



Mounting bolts M6 8.8; torque 10 Nm. Torque value assumes oiled threads.
* Unified thread 1/4-20 UNC is available.

Wiring

- The load cell is provided with a shielded, 6 conductor cable (AWG 26).
Cable jacket polyurethane
- Cable length: 3 m
- Cable diameter: 5.8 mm
- The shield is connected to the load cell body

